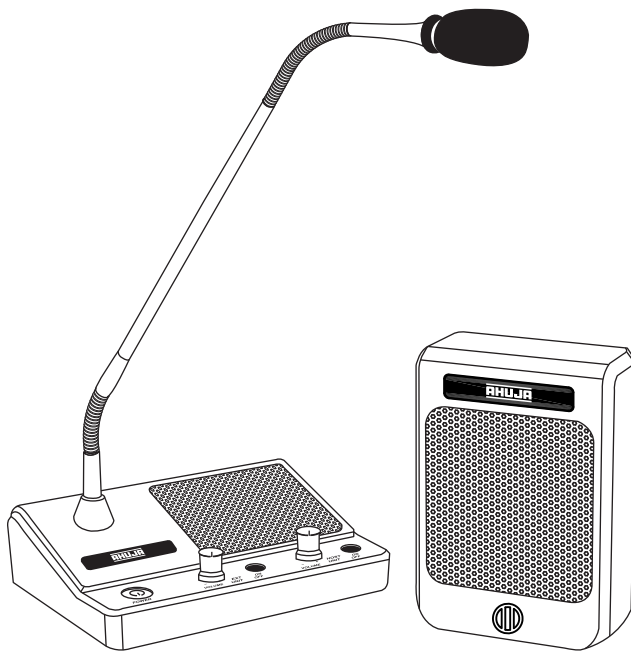


CCS-2200



HOST UNIT

EXTERNAL UNIT

- ◆ Thank you for purchasing the AHUJA Counter Communication System.
- ◆ Please read this manual thoroughly before making connections and turning on the power. Following the instructions in this manual will enable you to obtain optimum performance from your new AHUJA Counter Communication System.
- ◆ Please retain this manual for future reference.

• Safety Instructions

Read the Instructions: Please read all the instructions in this section carefully before installation or use of the product. All the safety instructions must be followed.

Retain the Instructions: Please retain this Instruction Manual for future reference.



This symbol, wherever it appears, alerts you to the presence of uninsulated hazardous voltage that may be sufficient to constitute a risk of electric shock. External wiring to any terminal marked with this symbol must be done by a trained and instructed person only.



This symbol, wherever it appears adjacent to a component, alerts you that the concerned component can only be replaced by another of the exact same specifications.

WARNING

- To reduce the risk of electric shock, do not remove the top cover. No user serviceable parts inside. Refer all servicing to qualified personnel only.
- Before replacing any fuse, make sure the set is switched off and disconnected from the AC mains or any other power source. Replace a fuse only with another of exactly same specification.

CAUTIONS

Water & Moisture: To reduce the risk of fire or electrical shock, do not expose this set to rain or moisture. Do not use this set near water or in a wet location. Do not keep any object filled with liquid, such as a vase, on top of this set. Do not insert or remove the AC mains plug with wet hands.

Power Source: The voltage & frequency of the AC mains supply, and the voltage of the external battery, (if applicable) to which this set can be connected, is marked on the rear of the AC adaptor. Do not connect this set to any power source other than those specified.

Power Cord Protection: Do not cut, kink, damage or modify the DC power cord attached to the AC adaptor. Keep the power cord away from heaters and harmful chemicals. Do not keep any heavy object on the power cord.

Operation on Generator: When operating this set on a generator, make sure the set is switched off till the generator voltage has stabilized.

Stability: The Attendant Unit must be kept in a stable and flat horizontal position, and never in a tilted position. Do not keep the Attendant Unit on an unstable base. The customer unit must be attached securely to the glass or other partition. User must check the safe and secure mounting of the customer unit.

Earthing: This set must be earthed properly before use. A wire from the Earth terminal on the rear panel must be connected to electrical earth.

Cleaning: Disconnect this equipment from the AC mains and external battery before cleaning. Clean with a damp cloth, but do not allow any liquid to enter the set. Do not clean with liquids or aerosols.

Exposure to Heat: Do not touch the heatsinks while the set is working.

Contents	Page No.
• General Description of Product	4
• Host Unit Controls & Features	5
• External Unit Controls & Features	6
• Installation Procedure	7
• Specifications	8

• General Description of Product

- Unique design, pleasing aesthetics & rugged construction.
- Duplex communication technology, ideal for ticket counters, enquiry counters, banks, embassies, hospitals etc. Wherever two way communication is required across a glass barrier. (Can also be used for one way communication).
- Compact & elegant Attendant Unit with gooseneck microphone, in black colour finish, for flexible sound pickup angle.
- Separate switches for switching the Host Unit mic, or the External Unit mic, ON or OFF.
- Separate volume controls on the Host Unit for adjusting the audio output level of the Host Unit and the External Unit.
- Host Unit mic has automatic voice priority over the External Unit mic. When attendant is speaking into the Host Unit mic, the mic of the External unit is automatically muted.
- Exclusively designed lightweight plastic external unit, which can be easily mounted on any flat surface. Double sided fixing pad provided.
- External unit houses a condenser mic cartridge and an efficient speaker for clear and intelligible sound outside the glass barrier.
- Audio output for recording available through 3.5mm phone jack on the Host Unit. This is a stereo output having signals from both the Host Unit mic and the External Unit mic.
- A 3.5mm phone jack is provided on the rear panel of the Host Unit for Line Input. This feature can be used to play back pre-recorded messages through the external unit speaker by connecting the Pre-amp output or Line Output of any Ahuja amplifier to the Line Input of the Host Unit.
- The system is easy to install and simple to operate.
- The Host Unit is a table top unit which operates on 12V DC, through an AC adapter supplied alongwith.

• Host Unit Controls and Features

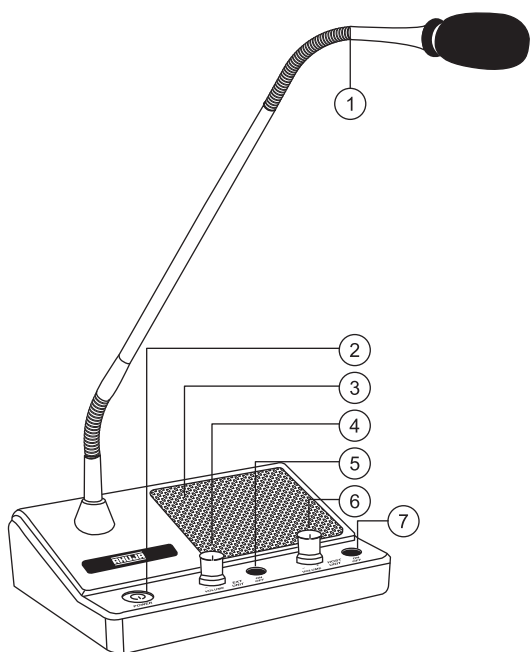


Fig. 1

- 1. Microphone for attendant**
Gooseneck microphone with a sensitive condenser cartridge.
- 2. Power Switch**
With AC adapter connected, Push this knob to switch ON the power to the unit.
A green light will glow on the knob to indicate power is ON.
Press the the knob again to switch OFF.
- 3. Host Unit Speaker (Speaker for attendant).**
This speaker enables the attendant or operator to listen to the customer's voice. This speaker is switched ON by switch (7), and level of sound in this speaker is adjusted from (6) above.
- 4. External Unit Volume Control :**
To adjust the output signal level from the external unit speaker.
- 5. External Unit On/Off Switch :**
Press to switch ON the External Unit speaker. A green light will glow on the knob to indicate that External Unit is ON.
Press again to switch off.
- 6. Host Unit Volume Control :**
To adjust the output signal level from the Host Unit speaker.
- 7. Host Unit On/Off Switch :**
Press to switch ON the Host Unit speaker. A green light will glow on the knob to indicate that the Host Unit is ON.
Press again to switch off.

• Host Unit Controls and Features

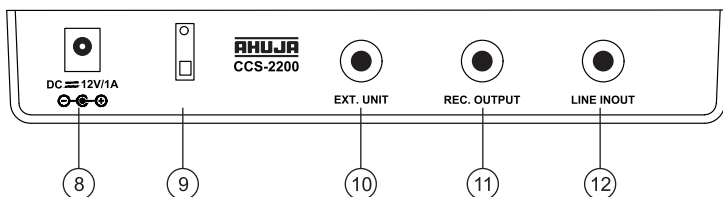


Fig. 2

8. Connect the AC adapter here (rating 12V/ 1 Ampere).
9. For wrapping the cable.
10. Connect the cable coming from the Externa Unit here.
11. Output from the Host Unit for recording the proceedings. Connect to a suitable audio recorder.
12. **Line Input**
For playing back pre-recorded music or messages through the Host Unit speaker. Connect signal from the Preamp Output or Line Output of any Ahuja Amplifier. (Do NOT connect the Speaker Output of any amplifier).

• External Unit Controls & Features

1. **External Unit Speaker**
For the customers outside the glass barrier to listen to the voice of the attendant (operator). The speaker is switched ON by (5), and the level of sound in this speaker is adjusted by (4) in Fig. 1.
2. **Connecting Cable**
Connect the 3.5mm phone plug on this cable to the EXT UNIT input on the rear of the Host Unit.

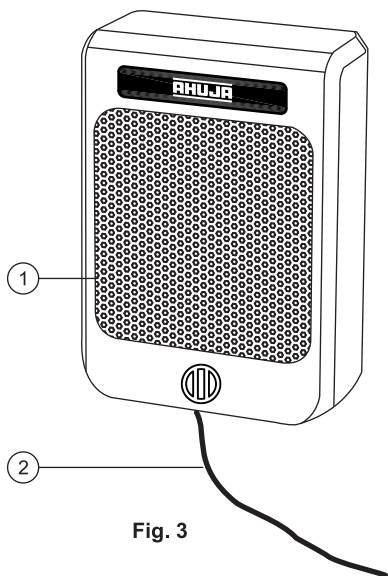


Fig. 3

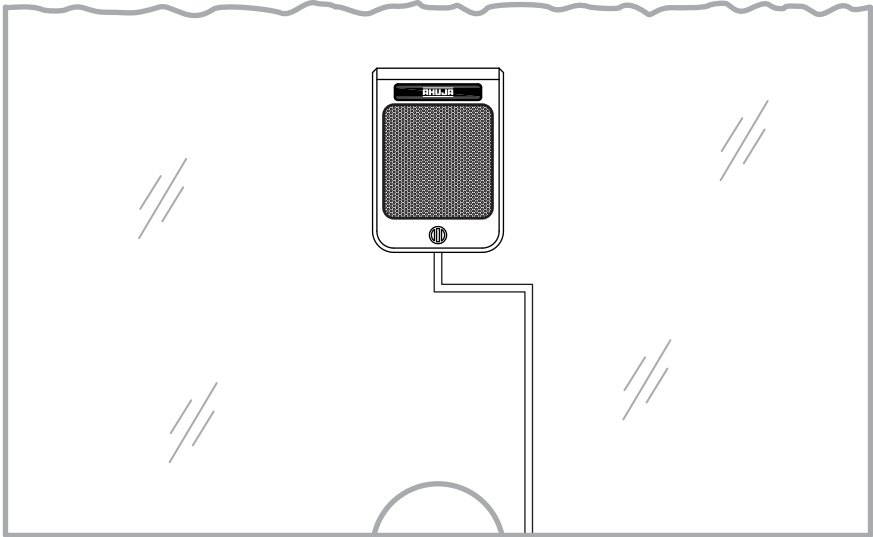


Fig. 4

- Put the Host Unit on a table for the attendant (operator) to use.
- Insert the AC adapter (supplied) into 220/240V AC mains, and connect the DC 12V plug into the DC input socket of the Host Unit.
- Securely fix the External Unit outside the glass barrier using the foam supplied.
- Fix the External Unit in such a way that the plug (connector) on the external unit cable is pointing downwards.
- Put the cable into the slot of the rubber strip provided, and paste the rubber strip in a suitable position on the glass.
- The glass should be perfectly clean and dry to attach the rubber strip provided.
- Insert the plug of the External Unit cable into the EXT UNIT input on the rear panel of the Host Unit.
- Make sure all connections are secure. Switch ON the power from the Host Unit, by pressing the power switch on the HOST UNIT.
- Turn ON the EXT UNIT and HOST UNIT switches on the front panel of the Host Unit. See items (5) and (7) in Fig.1.
- While speaking into the Host Unit mic, and into the external unit, adjust the two volume controls (4) and (6) in Fig.1 to get the desired loudness both inside and outside the glass barrier.

• Specifications

MODEL	CCS-2200
OUTPUT	: 2 × 5W (Max.) in each amplifier
MICROPHONE ELEMENT	: Electret Condenser in both the units.
FREQUENCY RESPONSE	: 100Hz-10KHz
POWER REQUIREMENT	: AC: 220-240V, 50/60Hz
SPEAKER IMPEDANCE	: 4Ω each
DIMENSIONS	
Host Unit	: W179.7 x H129.8 x D56.5mm
External Unit	: W117.8 x H83.7 x D38.9mm
WEIGHT	
Host Unit	: 590g approx.
External Unit	: 190g approx.
ACCESSORIES	: 1 PC Host Unit, 1 PC External Unit, 1 PC AC adapter, 1 PC User Manual, 1 PC Adhesive Foam, 1 PC Rubber Strip

AHUJA RADIOS

215, Okhla Industrial Estate, New Delhi-110020, INDIA

C-45, Phase-II, Noida-201305 (UP) INDIA ● 3, Okhla Industrial Estate, New Delhi-110020 INDIA

Tel.: +91-11-26831549, 41612474 Fax: +91-11-26847287 E-mail: ahuja@ahujaradios.com

Website: www.ahujaradios.com



- Design and Specifications are subject to change without notice owing to continuous product up-gradation
- Technical specifications are subject to production tolerances.
- We cannot be held responsible for printing errors, should they occur.
- **AHUJA** is a registered trademark of Ahuja Radios in India and other countries.
- © Copyright Ahuja Radios, 2018. All rights reserved. Any unauthorized reproduction or use of logos, images or design elements is strictly prohibited by law.
- No part of this compilation may be reproduced in any manner or translated without written permission.